

F18 Arch Epics

Kian-Tat Lim

The logo for the Large Synoptic Survey Telescope (LSST). It features the letters 'LSST' in a bold, black, sans-serif font. The letter 'S' is stylized with a blue and white gradient fill, resembling a nebula or a galaxy. The letters 'L', 'T', and the second 'S' are solid black with a white outline.

Large Synoptic Survey Telescope

Requirements and Design

Brian:

- Verification: report generation
- CAOM review of Gen3 Butler schema

Gabriele:

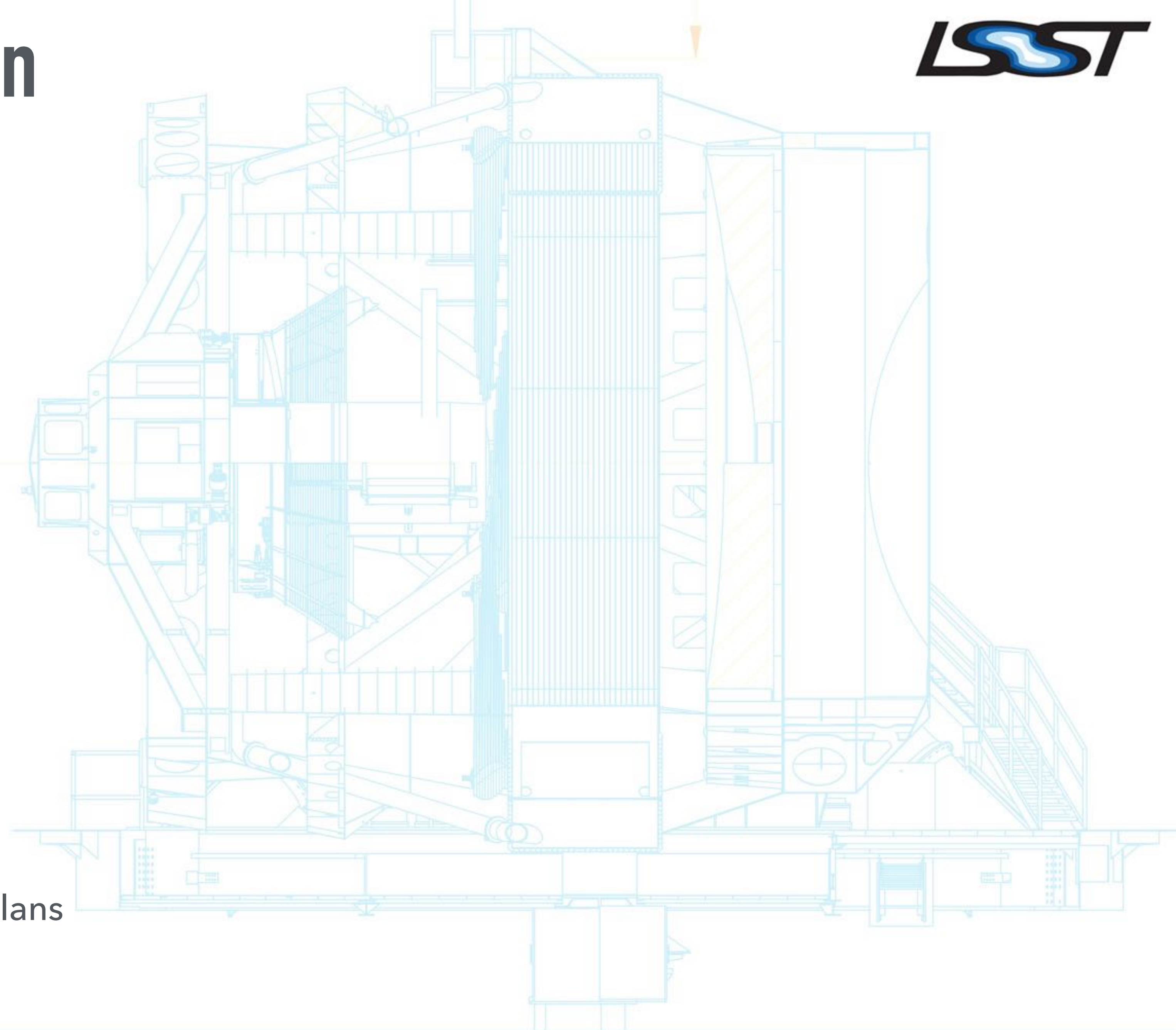
- Verification: requirements/test plans
- Packaging and system modeling
- Release 16.0.0 and release process

Gregory:

- End-to-end metadata design

K-T:

- Documents: requirements, designs, test plans
- Sizing model



Prototypes and Other Coding

Brian:

- IVOA: ADQL query processing

Gabriele:

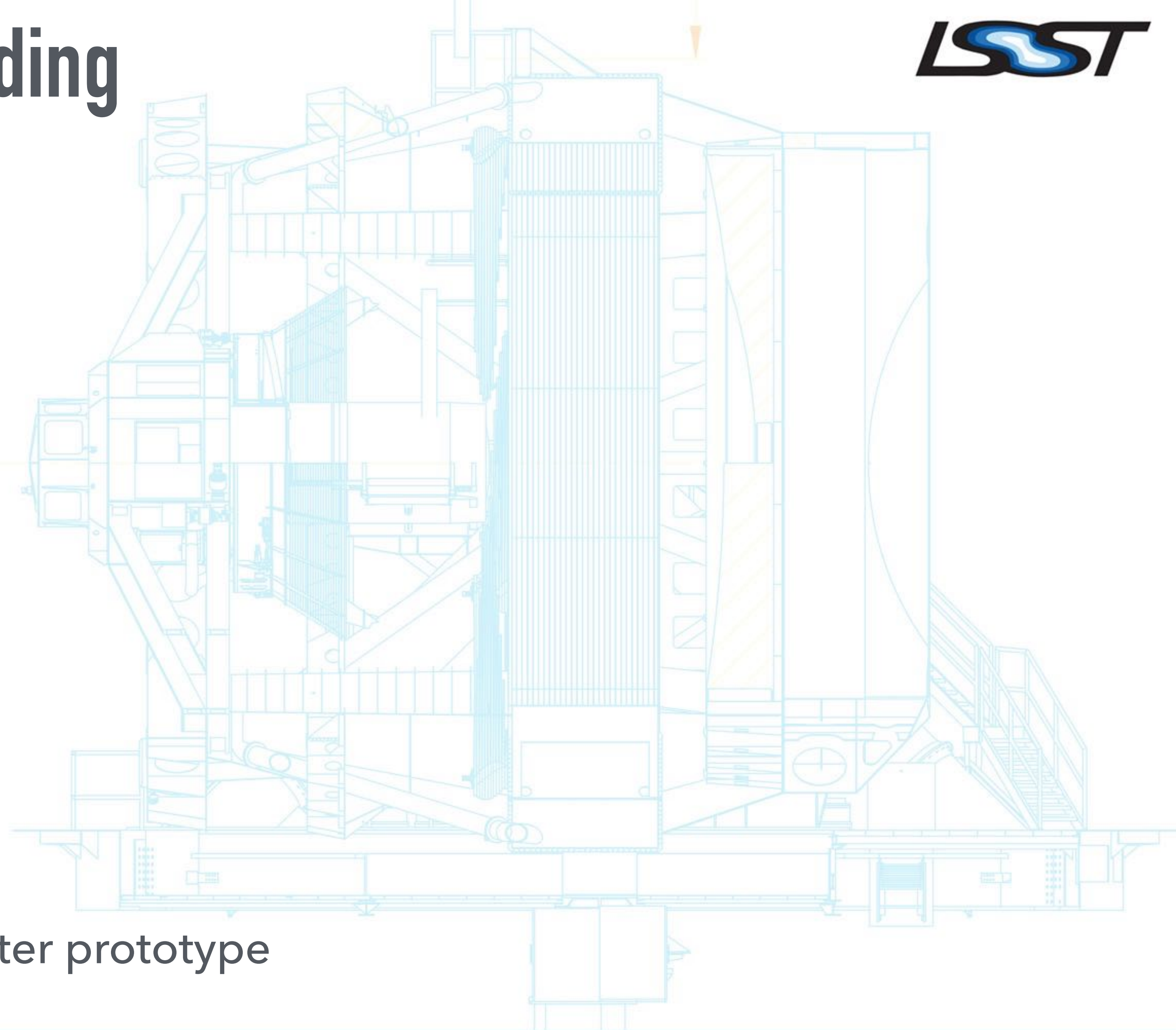
- Jenkins

K-T:

- Cloud PoCs

Tim:

- Butler Gen3
- Image file format: HDF5 formatter prototype



Oversight and Other LOE

- Early Integration
- Design reviews

