



The Summit and DM

Kian-Tat Lim, DM Software Architect



U.S. DEPARTMENT OF
ENERGY

SLAC

CHARLES AND LISA SIMONYI FUND
• • • FOR ARTS AND SCIENCES • • •



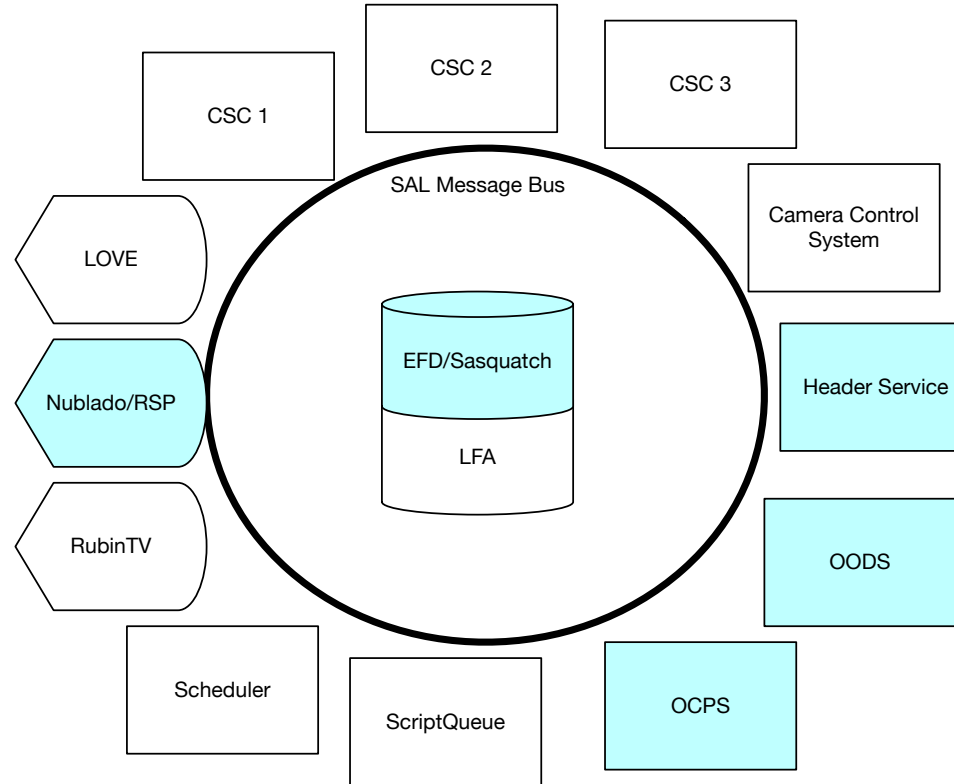




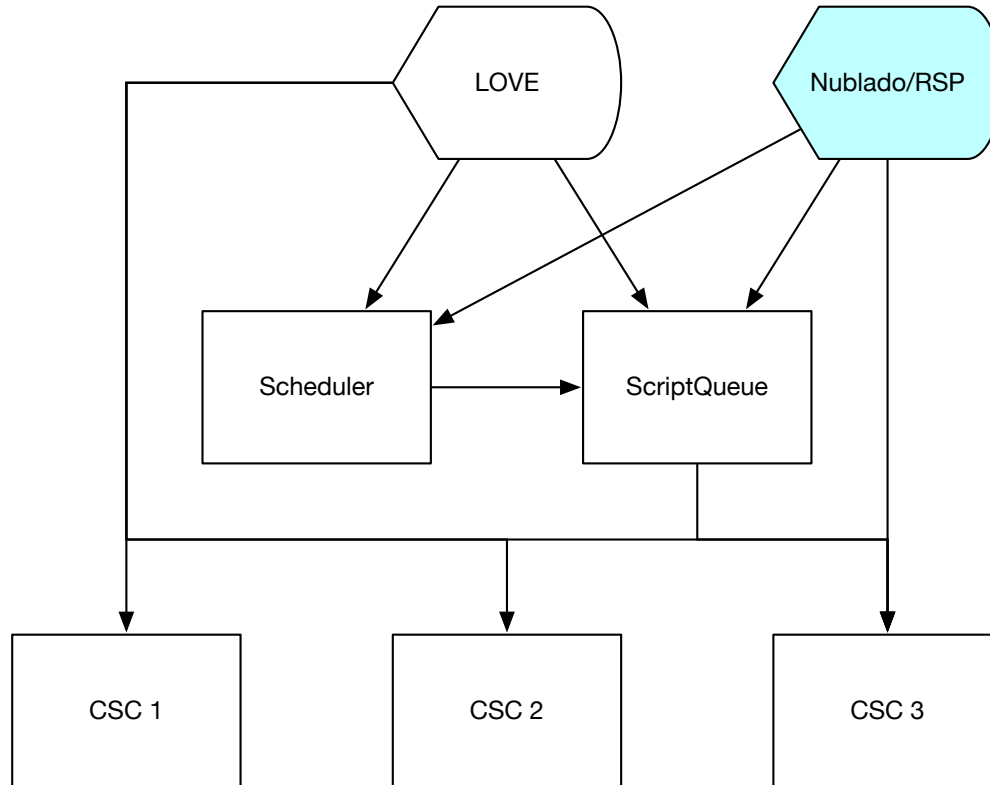
DM's Role Has (Reluctantly) Grown

- Originally, no DM components on the Summit at all, all would be provided by Telescope & Site and the Telescope & Site Software (TSSW) team.
- Now, key components, data, and infrastructure are provided by DM, and Chilean IT is part of DM. We also contributed people to the TSSW effort.
- The goal of this presentation and DMTN-254 is to show how these contributions fit into the overall Summit system, particularly illustrating how data flows in order to accomplish key functions.
- In the following diagrams, blue indicates substantial DM contributions. Dotted lines are items that are not yet production-ready.

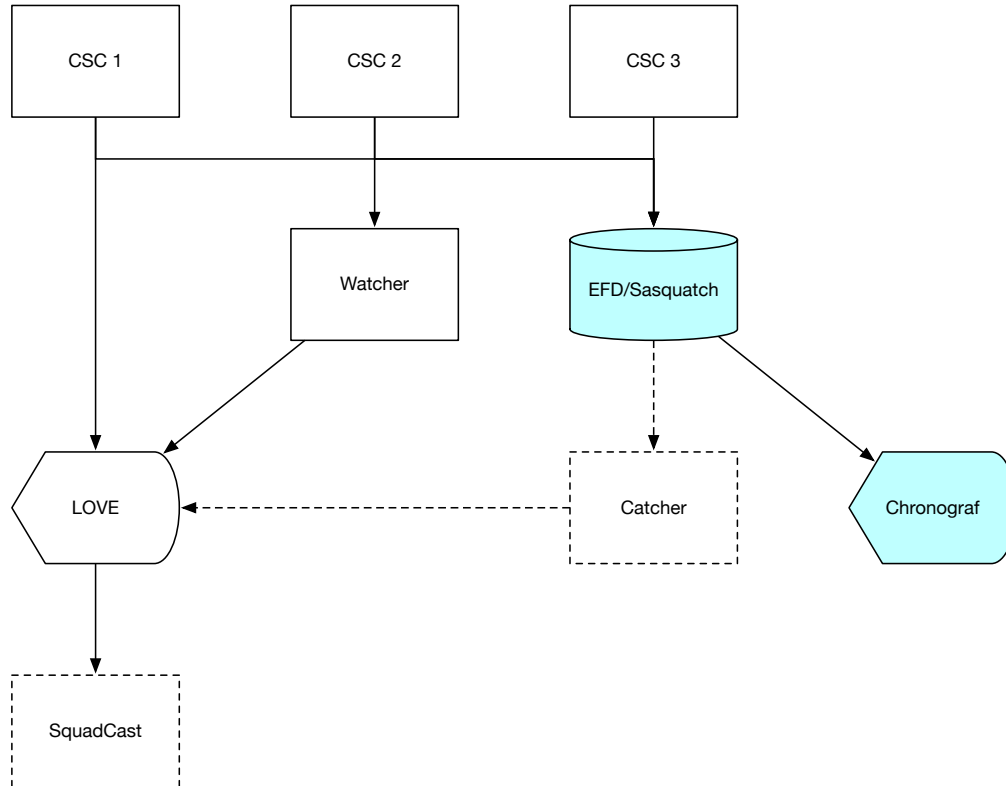
Summit Overview



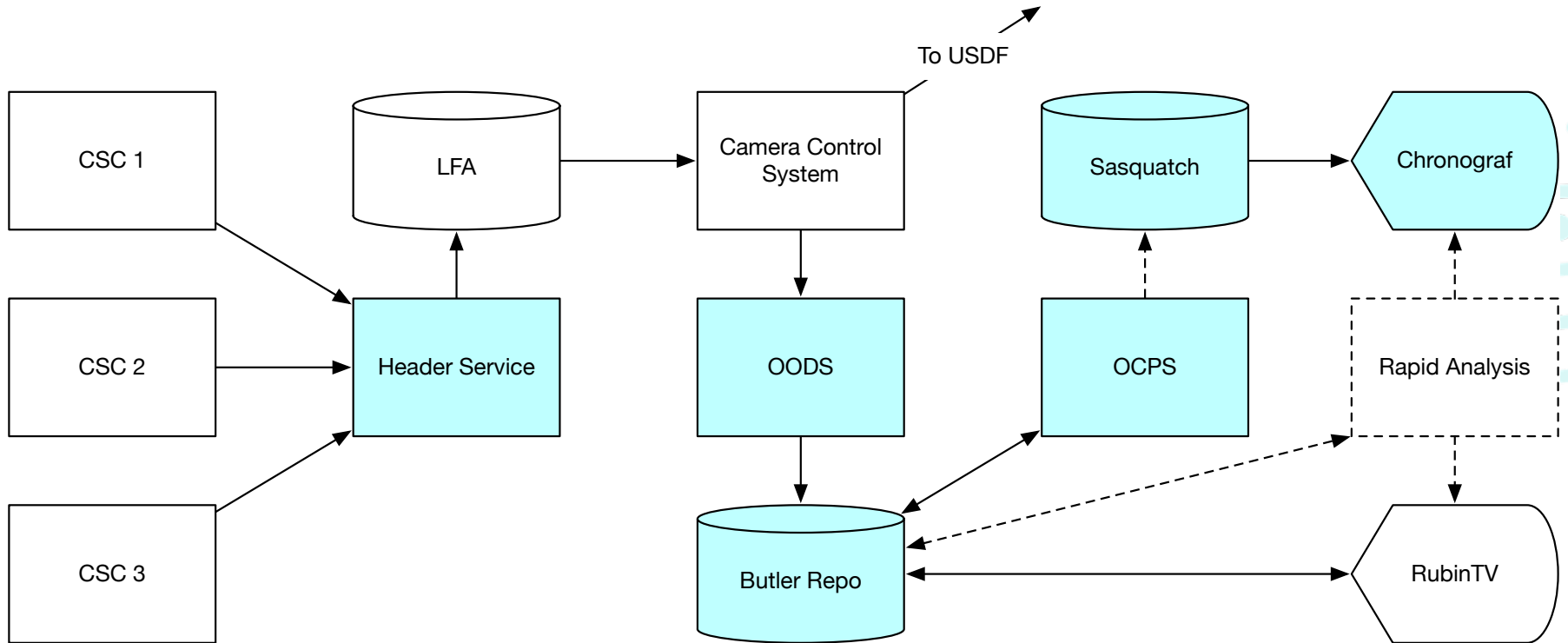
Summit Commanding



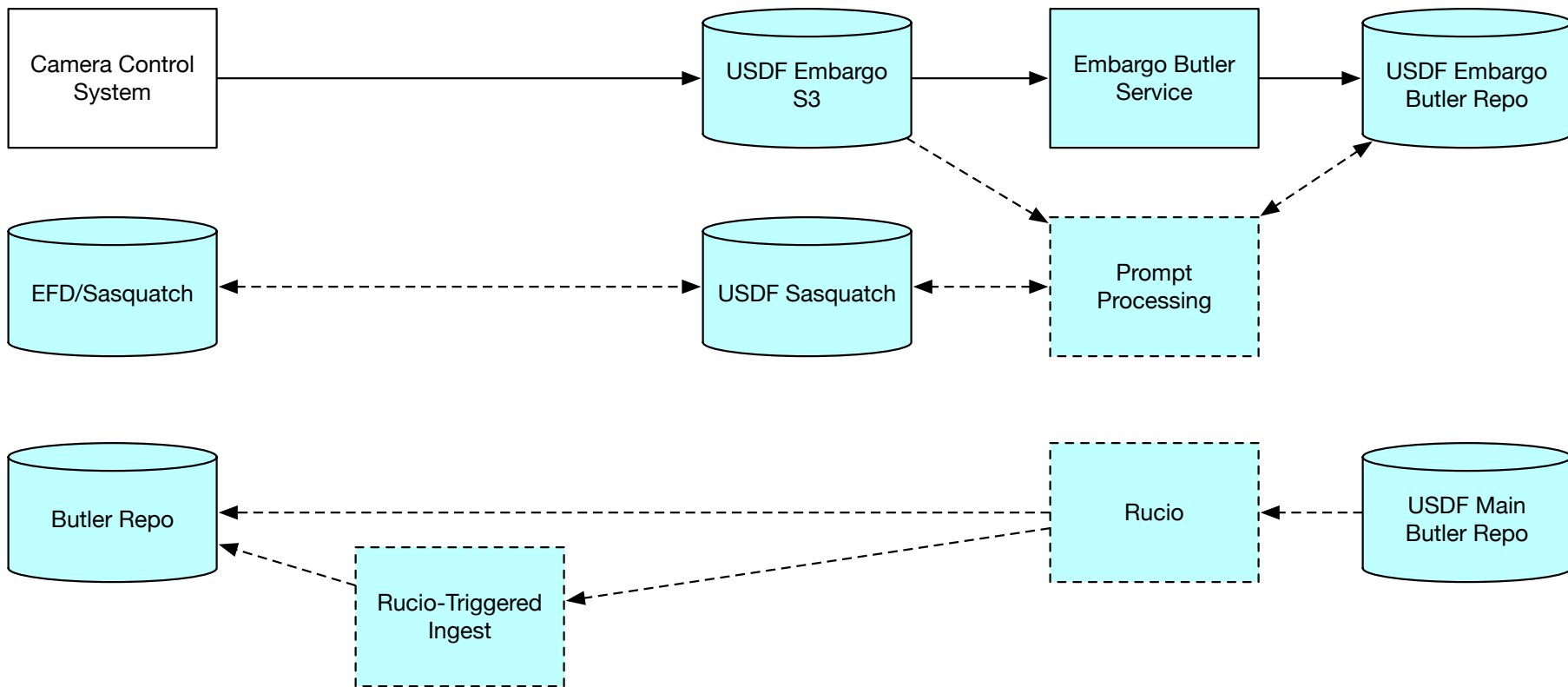
Summit Monitoring



Summit Science Data



Summit to USDF Science Data



Summit to USDF Metadata

