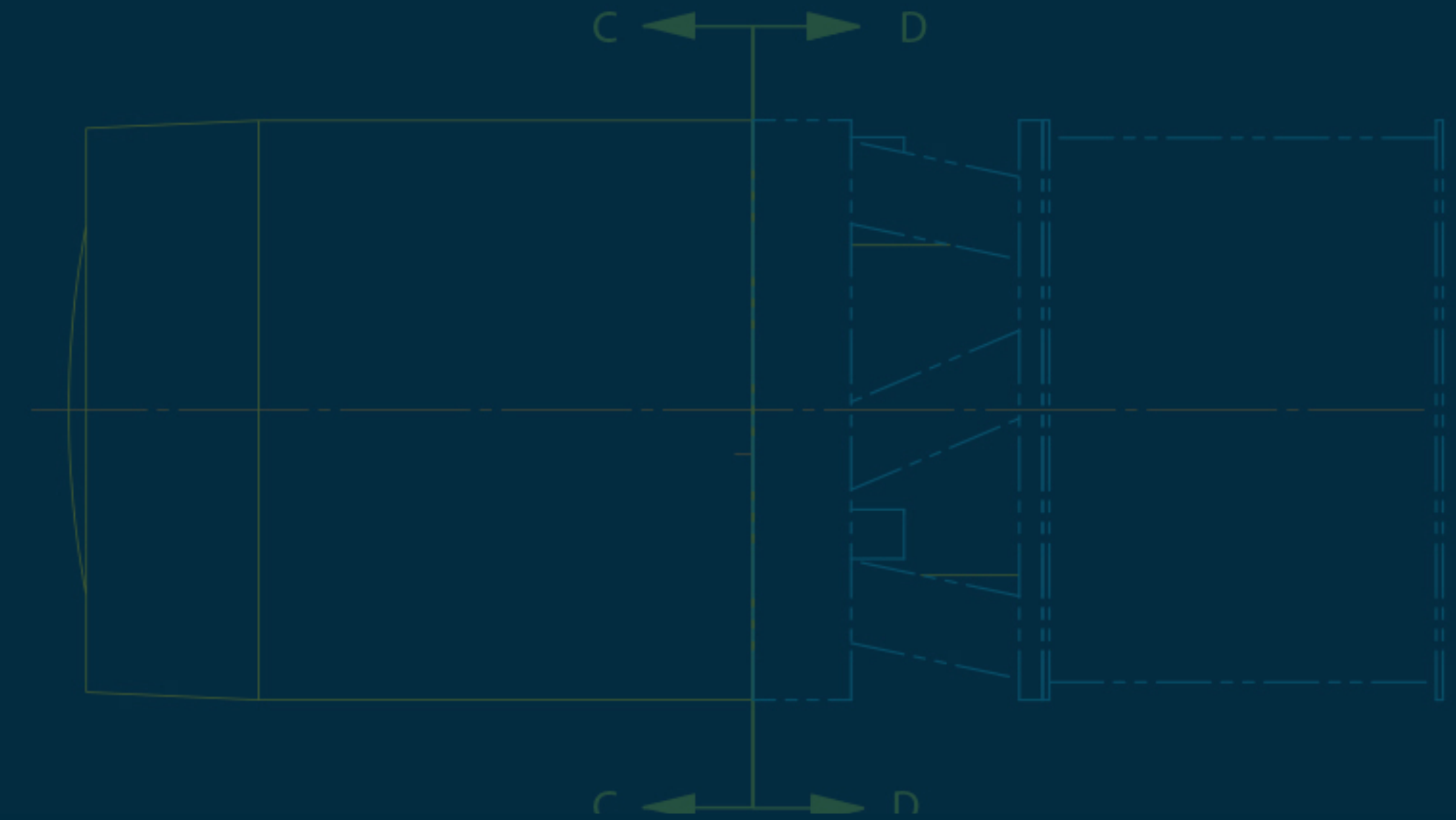


# FY2021 Winter Halfcycle

- IDF & DPO (really starting to charge Ops now...)
- Nublado refactor part II - cachemachine and n2 in dev testing
- EDF mothership - data now flowing to NCSA Influx, doors open soon
- New SODA architecture prototype
- A&A IDM - token management basic screens functional, needs UI work
- {UK/FR/US}DF support
- NaNs in the telemetry
- OWL architecture document
- squareone infrastructure skeleton
- Summit Support
- A number of SQR and DMTNs



# FY2021 Spring half-cycle

- IDF & DP0 - managing infrastructure, prettification, documentation
- VO services push 🤖
- Relational EFD feed
- squareone ready for DP0.1
- More phallanx integration for service deployment
- Build issues
- More A&A/IDM
- Identity asset “dictionary”
  - Provenance WG report

