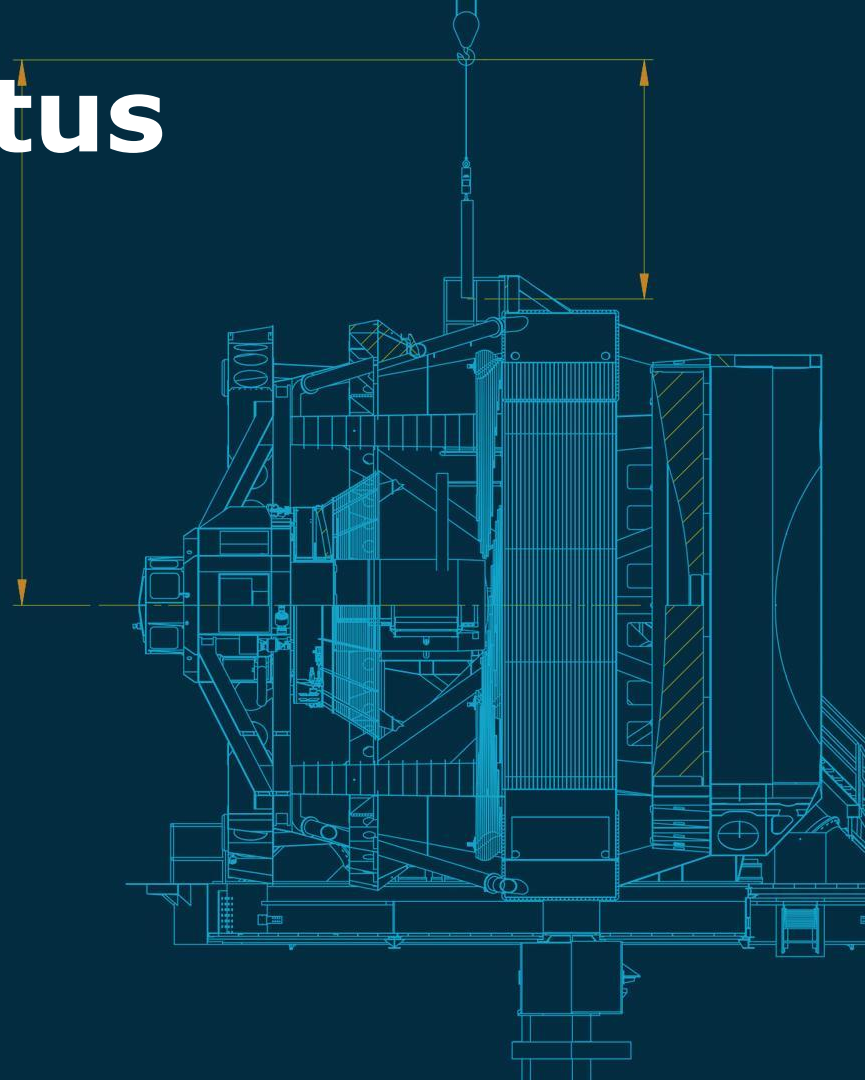


DAX mid-S20 Status

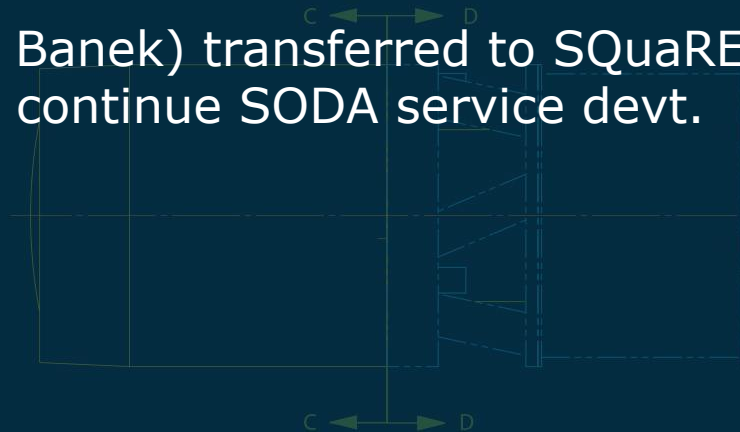


Rubin
Observatory

Review of last four Months

- **Management / Staffing Changes**

- Middleware management transferred to Tim Jenness
 - Fractional FTE (Andy Salnikov) retained for task framework maint.
- IVOA services + 1 FTE (Christine Banek) transferred to SQuaRE
 - 1 FTE (Kenny Lo) retained to continue SODA service devt.

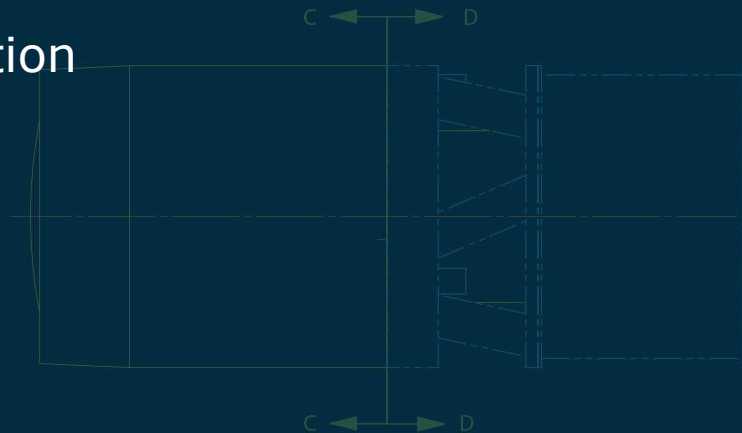


Review of last four Months

- **Qserv ingest improvements**
 - Continued infrastructure improvements in support of workflow
- **Qserv at NCSA**
 - Parallel deployments on existing NCSA 30-node cluster
 - One deployment now under Kubernetes (qserv-operator)
 - Gaia DR2 source table ingest
- **Qserv prep for KPM50**
 - Code profiling, analysis, and tuning
 - Integration of data synth with ingest framework
 - Evaluation of Redis Cluster for hosting global director indices

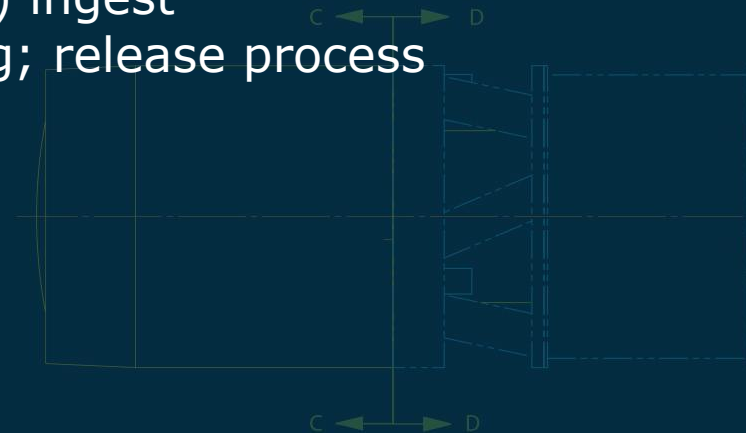
Review of last four Months

- **APDB**
 - Cassandra Evaluation (per presentation)
- **SODA Service**
 - Ported to Butler Gen3
 - ObsCore image metadata extraction



Plans for S20B

- **Qserv**
 - Ingest of Gaia DR2 auxiliary tables
 - Second Qserv cluster at NCSA (smaller, dedicated for `-stable`)
 - Finish preparation and begin execution of KPM50
 - Workflow-assisted (automatable) ingest
 - Build and deployment refactoring; release process



Plans for S20B

- **APDB**
 - Cassandra evaluation and costing
- **SODA Service**
 - Finish migration to HSC dataset; retire SDSS
 - Batched image retrieval

