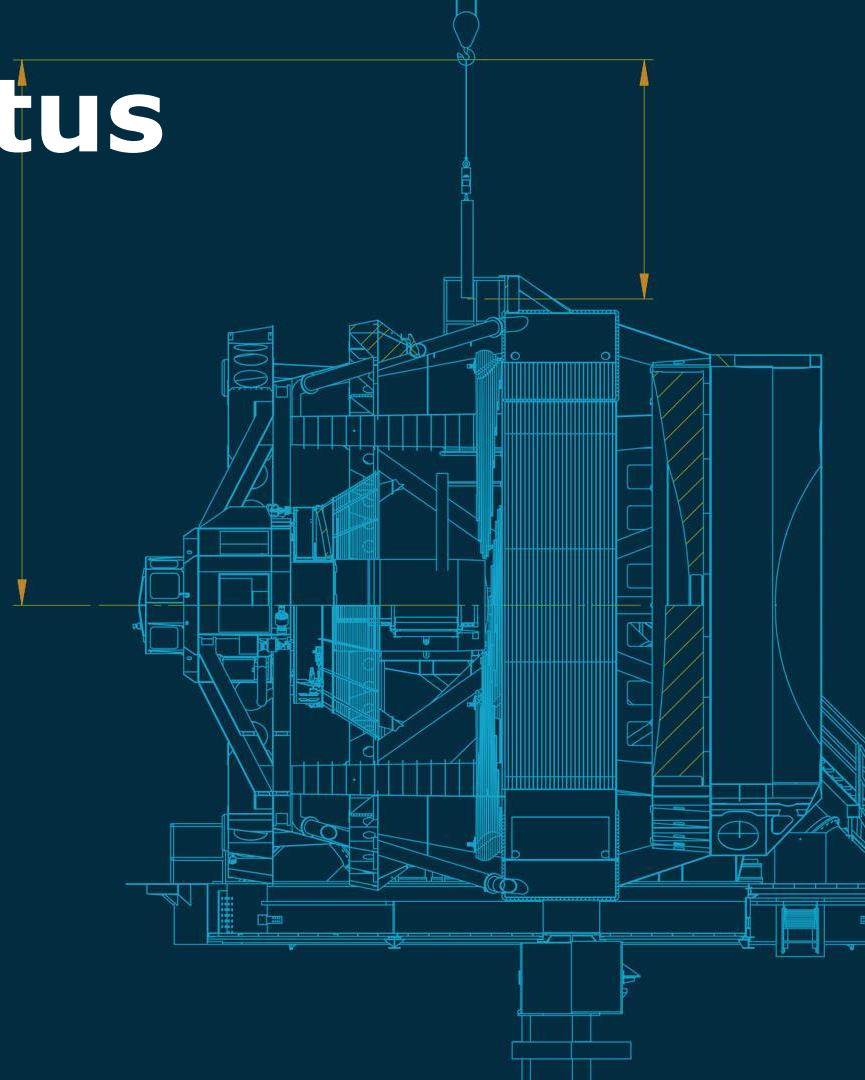


# DAX mid-S20 Status

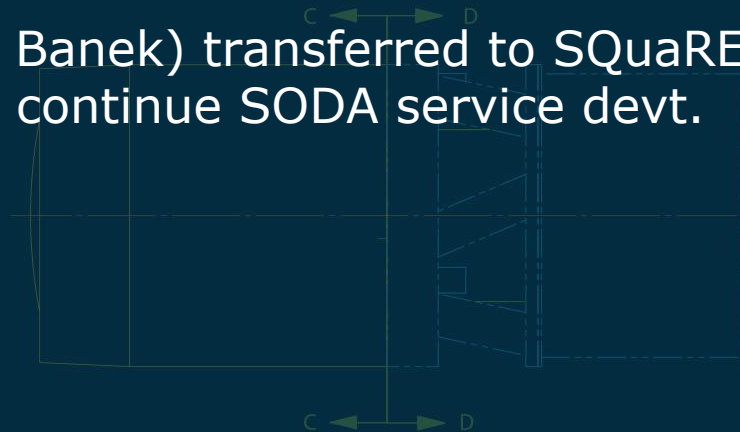


Rubin  
Observatory

## Review of last four Months

- **Management / Staffing Changes**

- Middleware management transferred to Tim Jenness
  - Fractional FTE (Andy Salnikov) retained for task framework maint.
- IVOA services + 1 FTE (Christine Banek) transferred to SQuaRE
  - 1 FTE (Kenny Lo) retained to continue SODA service devt.

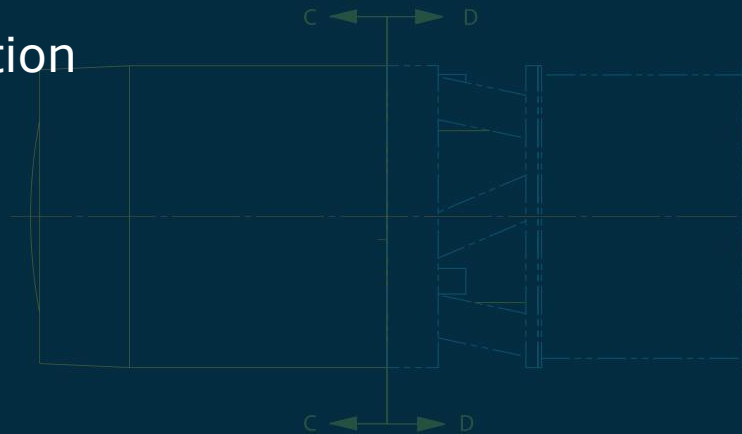


# Review of last four Months

- **Qserv ingest improvements**
  - Continued infrastructure improvements in support of workflow
- **Qserv at NCSA**
  - Parallel deployments on existing NCSA 30-node cluster
  - One deployment now under Kubernetes (qserv-operator)
  - Gaia DR2 source table ingest
- **Qserv prep for KPM50**
  - Code profiling, analysis, and tuning
  - Integration of data synth with ingest framework
  - Evaluation of Redis Cluster for hosting global director indices

## Review of last four Months

- **APDB**
  - Cassandra Evaluation (per presentation)
- **SODA Service**
  - Ported to Butler Gen3
  - ObsCore image metadata extraction



## Plans for S20B

- **Qserv**
  - Ingest of Gaia DR2 auxiliary tables
  - Second Qserv cluster at NCSA (smaller, dedicated for `-stable`)
  - Finish preparation and begin execution of KPM50
  - Workflow-assisted (automatable) ingest
  - Build and deployment refactoring; release process



## Plans for S20B

- **APDB**
  - Cassandra evaluation and costing
- **SODA Service**
  - Finish migration to HSC dataset; retire SDSS
  - Multi-image cutout design

